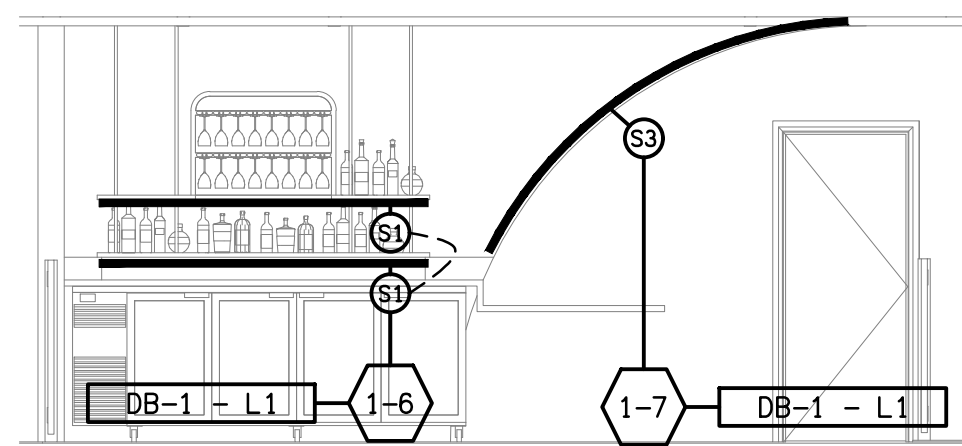
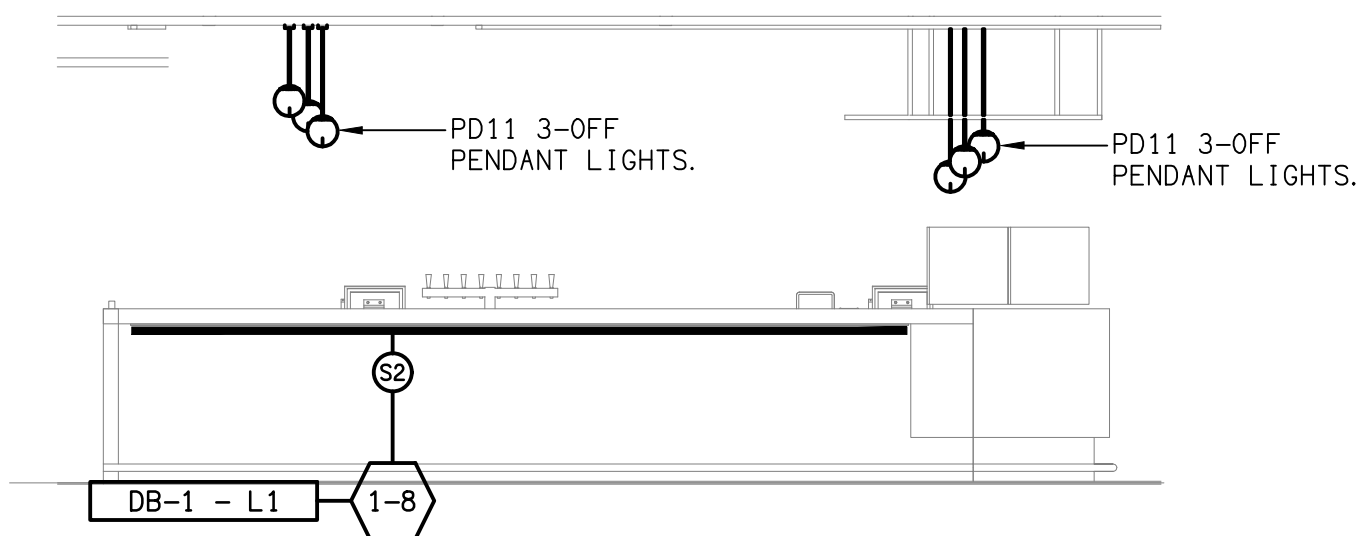


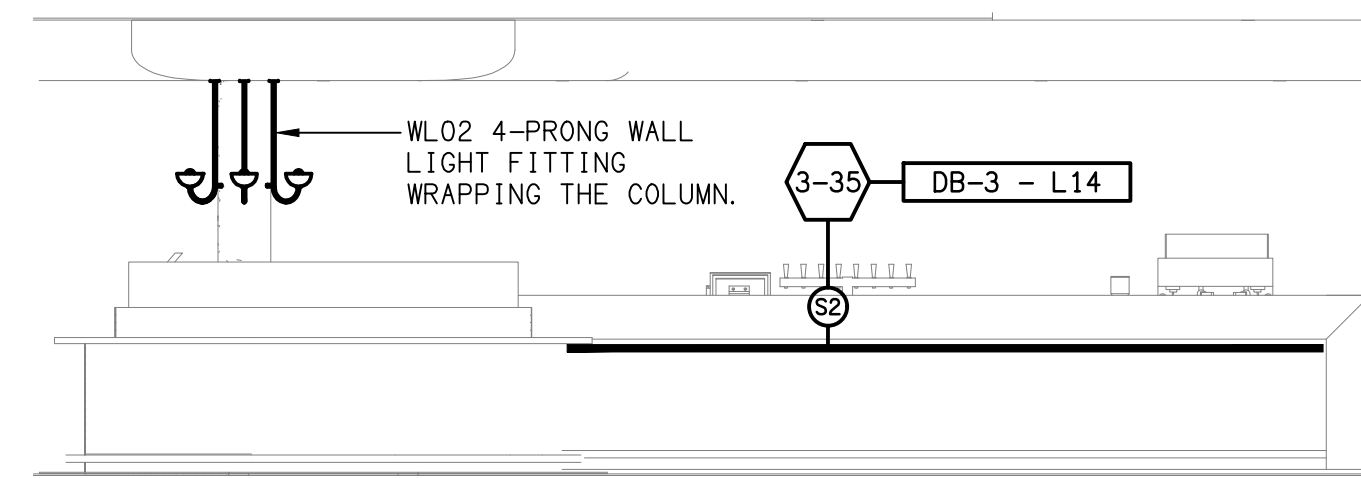
**REFERENCE PLAN**  
 JOINERY LIGHTING  
 SCALE 1:100



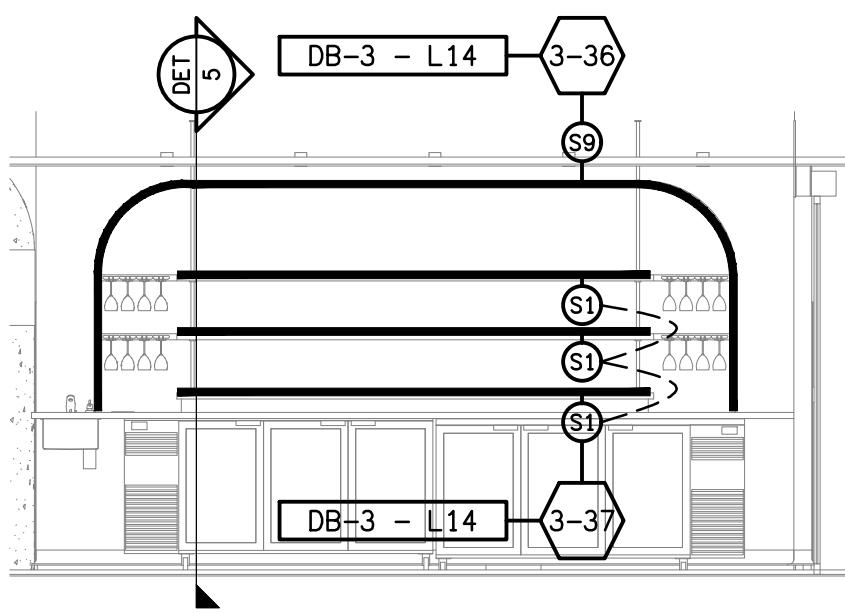
**DETAIL 1**  
 GAMING BAR REAR WALL ELEVATION  
 SCALE 1:50



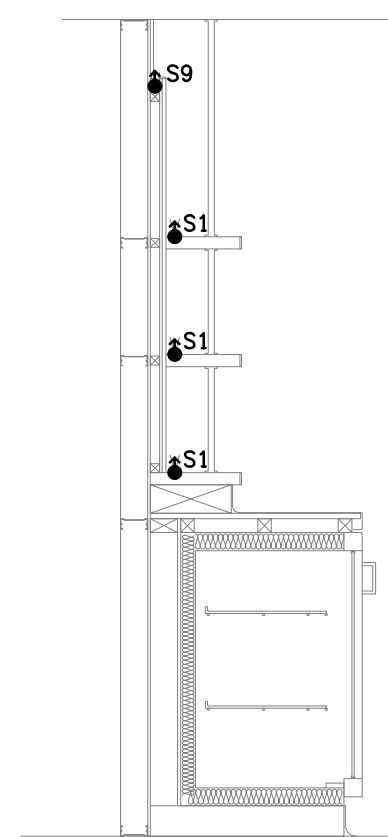
**DETAIL 2**  
 GAMING BAR COUNTER ELEVATION  
 SCALE 1:50



**DETAIL 3**  
 BAR COUNTER ELEVATION  
 SCALE 1:50



**DETAIL 4**  
 BAR REAR WALL SHELVING ELEVATION  
 SCALE 1:50



**DETAIL 5**  
 BAR REAR WALL SHELVING SECTION  
 SCALE 1:25

ELECTRICAL DESIGN GROUP BRISBANE  
 PTY. LTD  
 ACN 092 710 793  
 TRADING AS:  
 ELECTRICAL DESIGN GROUP

THE COPYRIGHT OF THIS DRAWING  
 REMAINS THE PROPERTY OF THE  
 ELECTRICAL DESIGN GROUP.  
 USE FIGURED DIMENSIONS  
 IN PREFERENCE TO SCALE.  
 ALL DIMENSIONS TO BE  
 VERIFIED ONSITE.

**ELECTRICAL DESIGN GROUP**  
 ELECTRICAL BUILDING SERVICES CONSULTANTS  
 BRISBANE GOLD COAST

P.O. Box 15, Sherwood Q.4075  
 Phone: (07) 3278 4375  
 Email: brisbane@edg.net.au  
 Web: www.edg.net.au

PROJECT:  
**REDLANDS SPORTING CLUB  
 REFURBISHMENT**  
 ANSON ROAD, WELLINGTON POINT, QUEENSLAND

B	TENDER	15/05/2024
REV:	DESCRIPTION:	DATE:

DRAWING:  
**ELECTRICAL SERVICES  
 JOINERY LIGHTING DETAILS**

SCALE:  
 1:100 & 1:50 UNO AT A1

PROJECT NO:  
**C3204a**

DRAWING NO:  
**E07**

REVISION:  
**B**